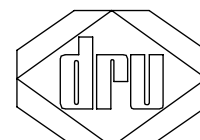
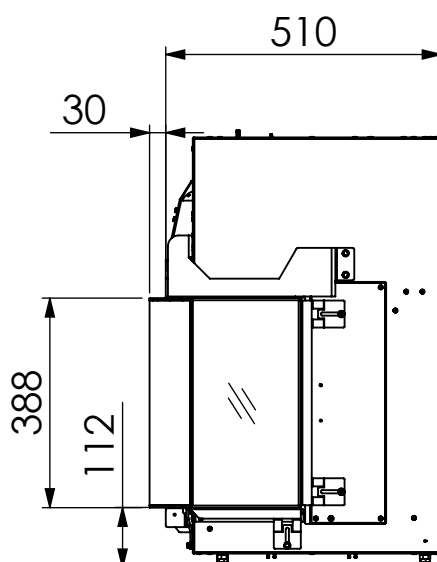
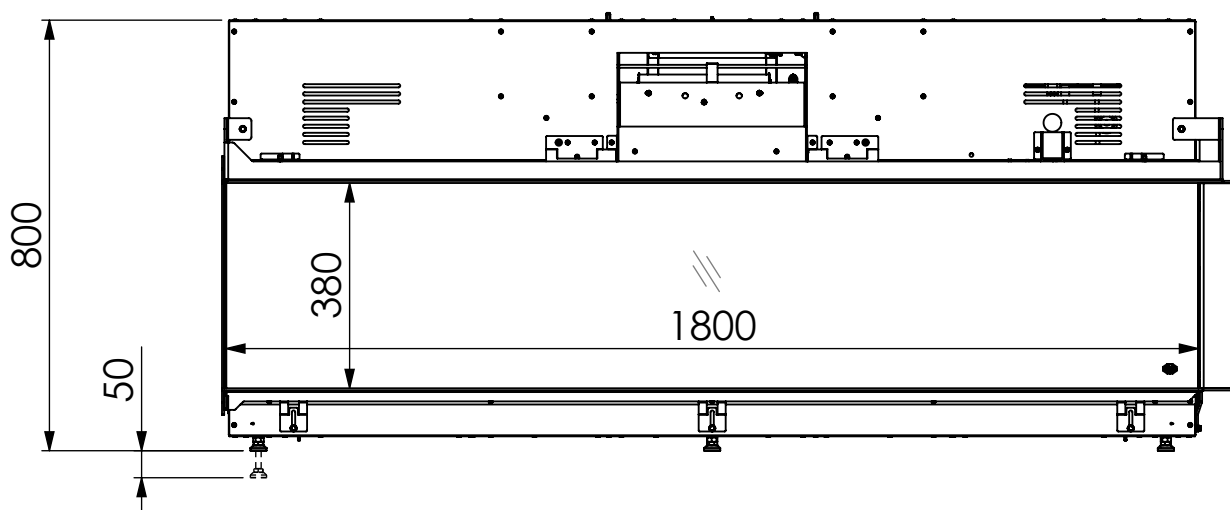
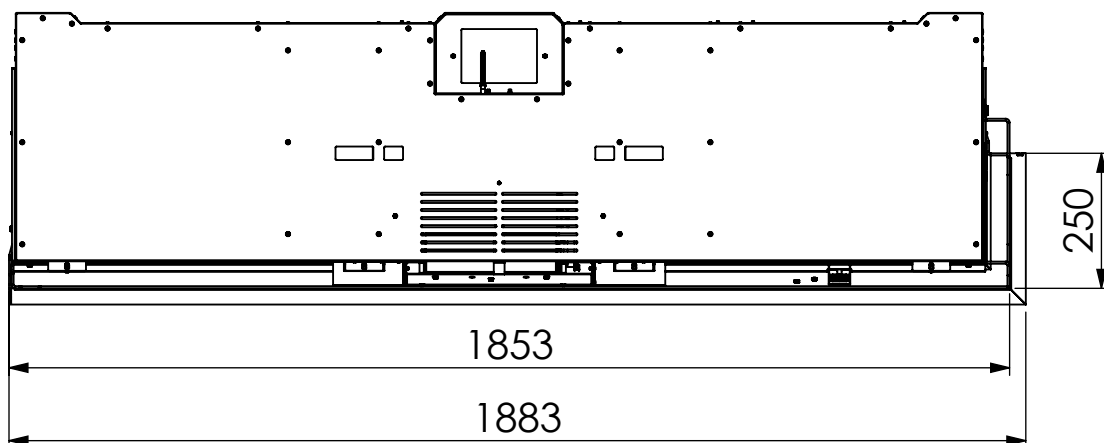
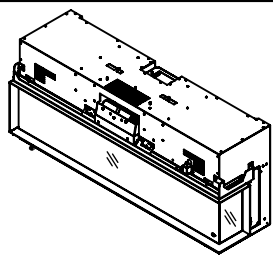
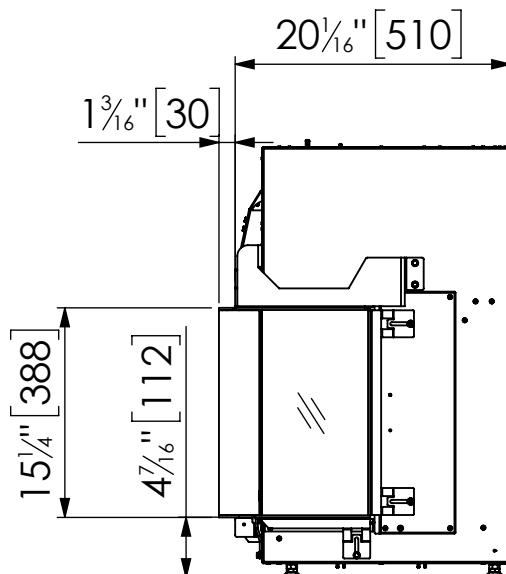
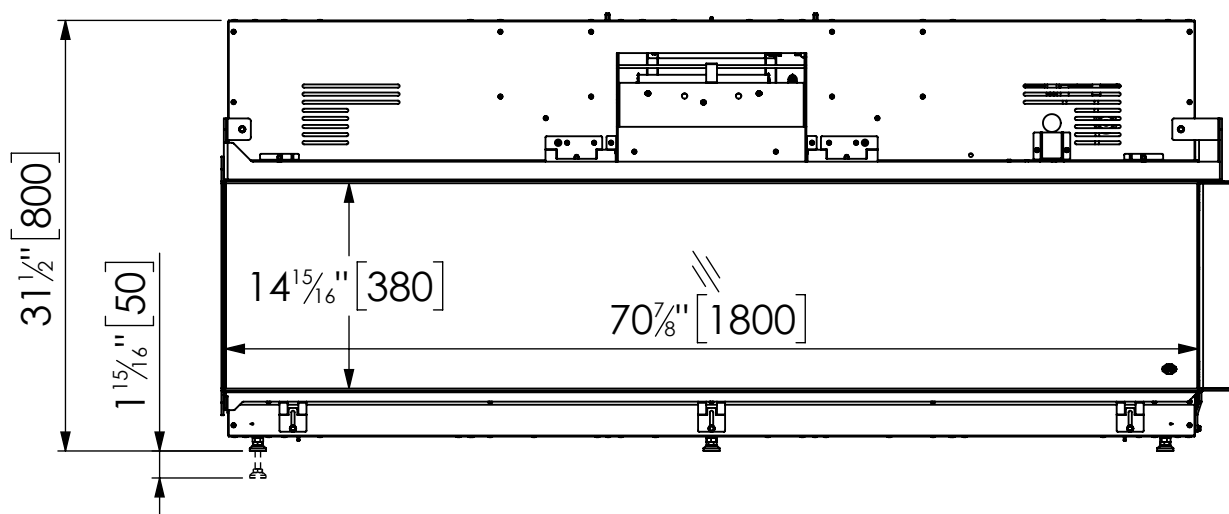
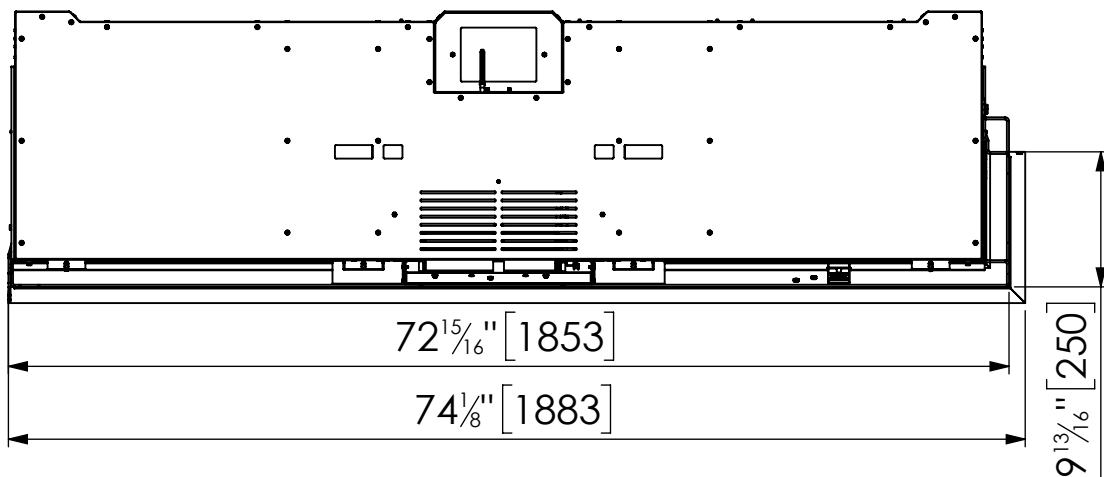
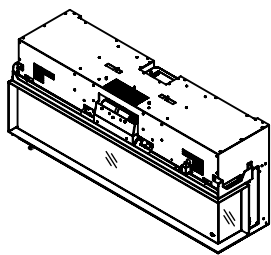


# Virtuo 180/2 Evolve Rechts



# Virtuo 180/2 Evolve Rechts



dim" = inch  
[dim] = mm

